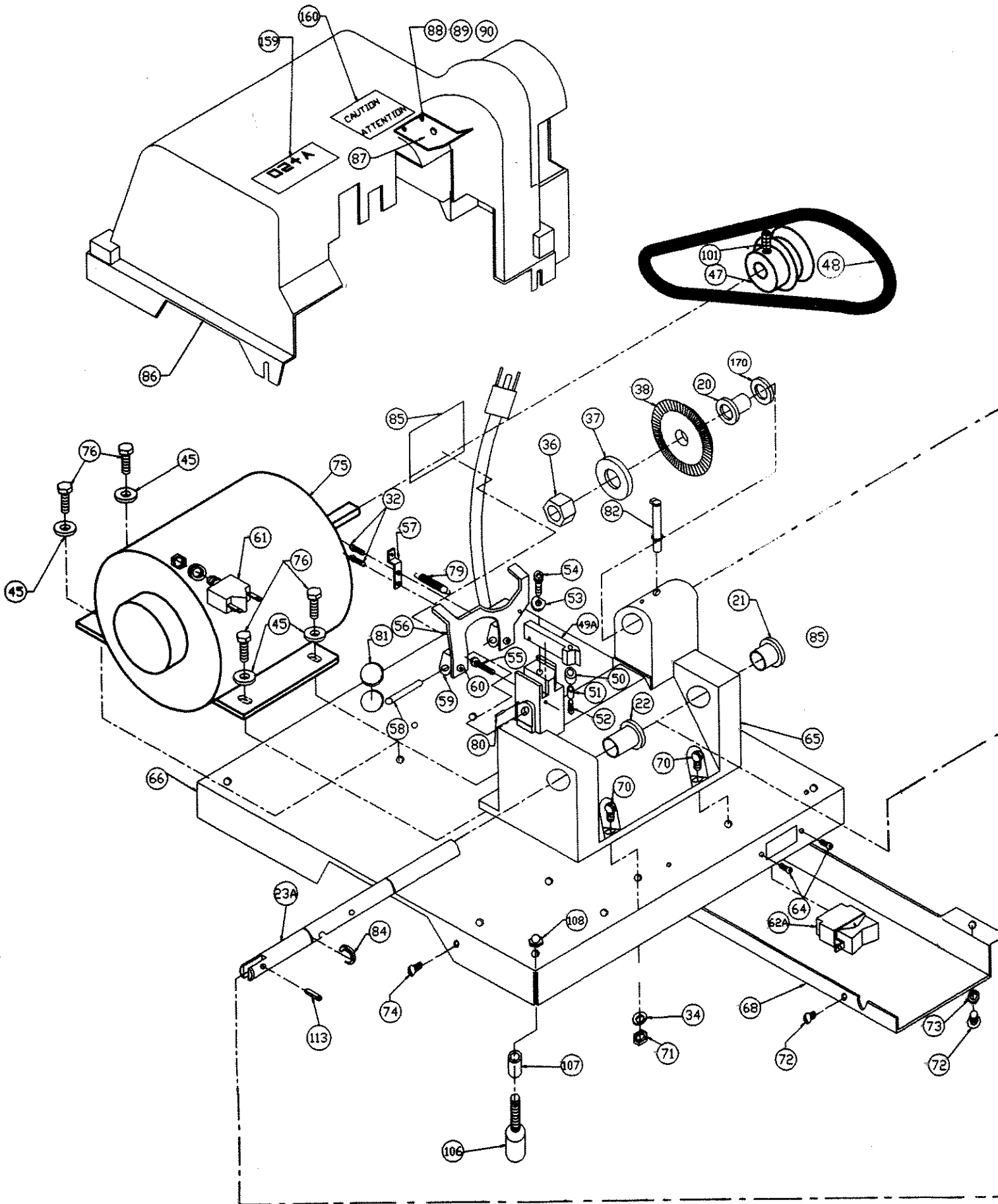
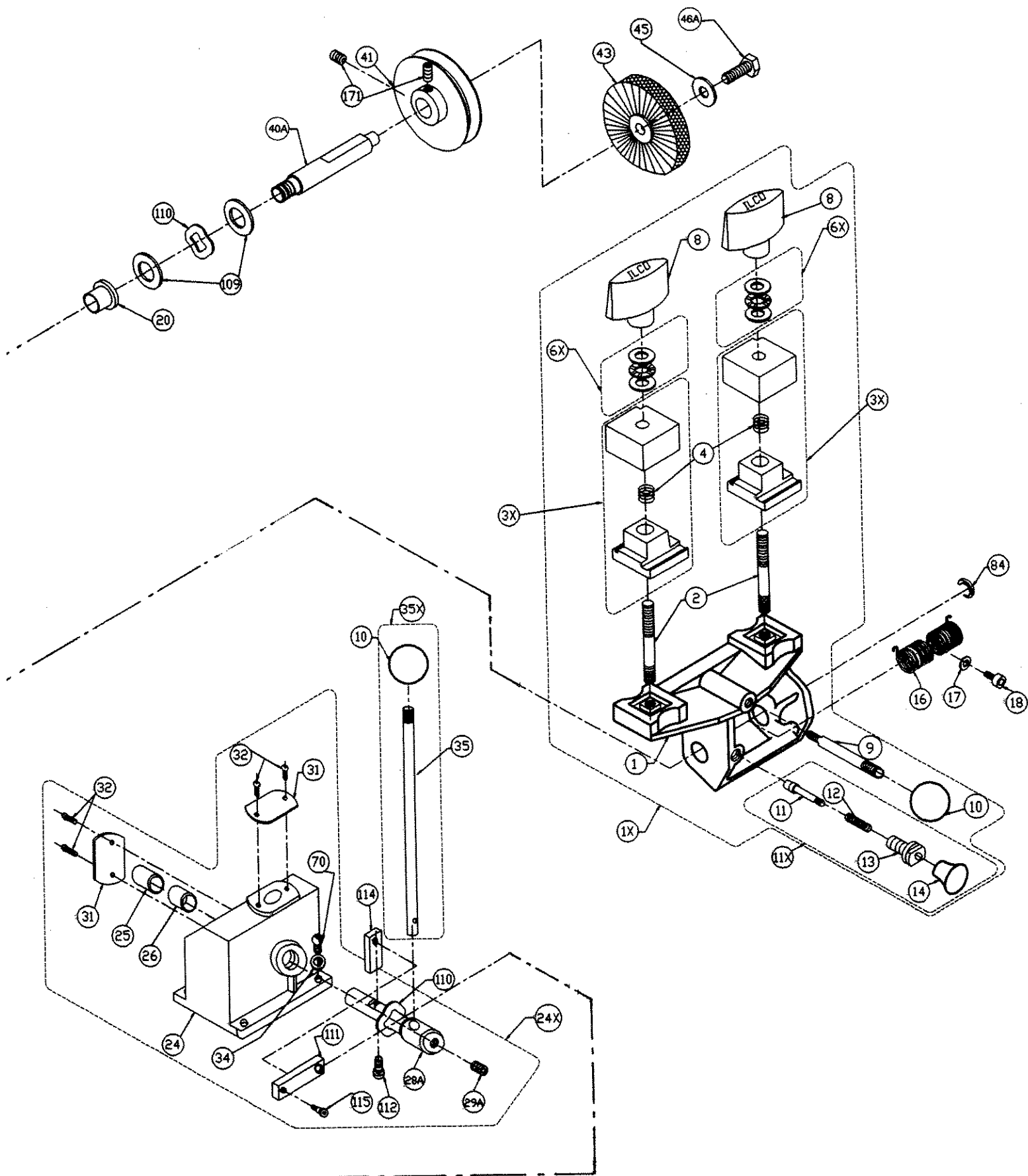


EXPLODED VIEW / VISTA EN DETALLE / SCHÉMA ÉCLATÉ



EXPLODED VIEW / VISTA EN DETALLE / SCHÉMA ÉCLATÉ



EXPLODED VIEW PARTS LIST

Refer to pages 6-7 for illustration

Ref.	Part no.	Description	Ref.	Part no.	Description
1	024A-1	Carriage	56	024A-56	Key gauge
1X	024A-1X	Carriage assembly	57	024A-57	Key gauge bracket
2	024A-2	Carriage stud	58	024A-58	Key gauge dowel pin
3X	024A-3X	Vise jaw assembly	59	024A-59	Key gauge housing (two)
4	024A-4	Vise jaw spring	60	024A-60	Cap screw, 8-32 x 1/2"
6X	024A-6X	Thrust bearing set	61	024A-61	Circuit Breaker, ETA 1658
8	024A-8	Wing nut	62A	024A-62A	On/Off switch
9	024A-9	Carriage handle	64	024A-64	Switch screws 6-32 x 1/4"
9X	024A-9X	Carriage handle assembly	65	024A-65	Main Base, machined
10	024A-10	Carriage handle ball	66	024A-66	Sub-base
11	024A-11	Trigger pin	68	024A-68	Electrical cover
11X	024A-11X	Trigger assembly	70	024A-70	Base screws, 1/4-20 x 1"
12	024A-12	Trigger pin spring	71	024A-71	Base screw nut, 1/4-20
13	024A-13	Trigger body	72	024A-72	RHMS screw, 8-32 x 3/16"
14	024A-14	Trigger	73	024A-73	Lockwasher, #8
16	024A-16	Carriage torsion spring	74	024A-74	Truss head screw, 8-32
17	024A-17	Washer	75	024A-75	Motor, 1/4 hp, 115V, C/S
18	024A-18	Screw, 10-32 x 1/2"	76	024A-76	Motor bolt, 1/4-20 x 3/4"
20	024A-20	Cutter shaft bushing	79	024A-79	Key gauge spring
21	024A-21	Carriage shaft bushing, right	80	024A-80	Roll pin
22	024A-22	Carriage shaft bushing, left	81	024A-81	Snap plug, 7/8"
23A	024A-23A	Carriage shaft	82	024A-82	Oil cup
24	024A-24	Gear box housing	84	024A-84	Crescent ring
25	024A-25	Pinion shaft bushing, rear	85	024A-85	024A-110V nameplate
26	024A-26	Pinion shaft bushing, front	86	024A-86	Safety hood with 024A decal
28A	024A-28A	Pinion shaft	86X	024A-86X	Safety hood assembly
29A	024A-29A	Set screw, 1/4-20 x 3/16"	87	024A-87	Safety shield
31	024A-31	Cover plate	88	024A-88	Shield screws, 10-32 x 1/2"
32	024A-32	Socket hd. screw, 10-24 x 3/8"	89	024A-89	Flat washer, #10
34	024A-34	1/4" lockwasher	90	024A-90	Nut, #10-32
35	024A-35	Carriage lever	91	024A-91	Power cord
35X	024A-35X	Carriage lever assembly	92	024A-92	3 wire motor cable
36	024A-36	Cutter nut, N-4	101	024A-101	Motor pulley set screw
37	024A-37	Cutter spacer	106	024A-106	Rubber mount
38	024A-38	CU20 cutter	107	024A-107	Spacer
40A	024A-40A	Cutter shaft	108	024A-108	Acorn nut, 1/4-20
41	024A-41	Cutter shaft pulley	109	024A-109	Bearing washer
43	024A-43	Nylon brush	110	024A-110	Wave washer
45	024A-45	Brush bolt washer, 3/8"	111	024A-111	Free link
46A	024A-46A	Hex head screw, 3/16-18 x 3/4"	112	024A-112	Socket head screw, 10-32 x 3/4"
47	024A-47	Motor pulley 2" - 3L	113	024A-113	Roll pin
48	024A-48	V-Belt, 3L-180	114	024A-114	Torque arm
49A	024A-49A	Cutter guide (stylus)	115	024A-115	Shoulder screw
50	024A-50	Cutter guide roller	160	024A-160	Caution label
51	024A-51	Guide roller bushing	170	024A-170	Bushing spacer
52	024A-52	Socket head screw, #8-32 X 1 1/2"	171	024A-171	Cutter pulley set screw, 3/8" -18
53	024A-53	Cutter guide binding washer	IM	024A-IM	Instruction manual
54	024A-54	Cutter guide binding screw	NS	024A-240	220V 1/4HP motor
55	024A-55	Adjusting screw			