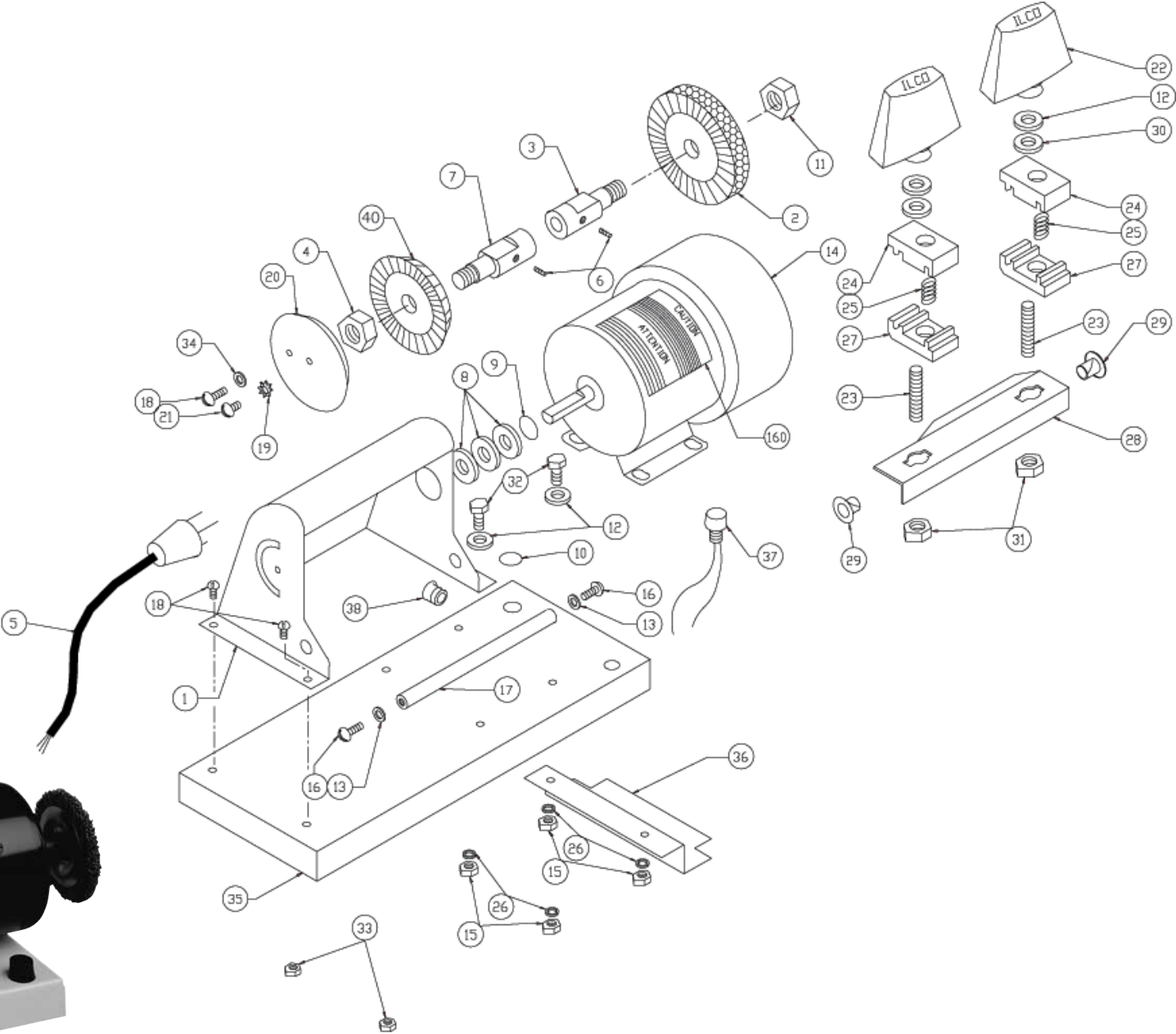


027A



027A

| | Description | Part Number | Item Number | | Description | Part Number | Item Number |
|----|-----------------------|-------------|-------------|-----|------------------------|-------------|-------------|
| 2 | Brush | 027A-2 | BD0221XXXX | 25 | Vise Spring | 027A-25 | 184045 |
| 3 | Brush Adaptor | 027A-3 | 131442 | 26 | 1/4" Lock Washer | 027A-26 | 194253 |
| 4 | Cutter Nut | 027A-4 | 151090 | 27 | Stationary Jaw | 027A-27 | 129635 |
| 5 | Power Cord | 027A-5 | 1103290P | 28 | Carriage | 027A-28 | 129638F |
| 6 | Set Screw | 027A-6 | 174449 | 29 | Nylon Carriage Bushing | 027A-29 | 129631 |
| 7 | Cutter Adaptor | 027A-7 | 131441 | 30 | Fiber Washer | 027A-30 | 194012 |
| 8 | Steel Thrust Washer | 027A-8 | 194026 | 31 | Vise Stud Nut | 027A-31 | 151017 |
| 9 | Nylon Thrust Washer | 027A-9 | 147013 | 32 | 1/4" Screw | 027A-32 | 172441 |
| 10 | Grommet | 027A-10 | 129852 | 33 | #8 Nut | 027A-33 | 151009 |
| 11 | Brush Nut | 027A-11 | 151089 | 34 | #8 Washer | 027A-34 | 194013 |
| 12 | Thrust Washer | 027A-12 | 194080 | 35 | Base Plate | 027A-35 | 131439P |
| 13 | Carriage Screw Washer | 027A-13 | 194251 | 36 | Cover Plate | 027A-36 | 131440P |
| 14 | Motor 110 Volt | 027A-14 | 131443 | 37 | Switch | 027A-37 | 129632 |
| 15 | 1/4" Nut | 027A-15 | 151077 | 38 | Strain Relief Button | 027A-38 | 129023 |
| 16 | Carriage Screw | 027A-16 | 172314 | 39 | Warning Label | 027A-39 | 131809 |
| 17 | Carriage Shaft | 027A-17 | 129630 | 40 | CU1 Cutter | 027A-40 | BC0104XXXX |
| 18 | Key Guide Clamp Screw | 027A-18 | 172350 | 160 | Caution Label | 025-160 | 255288 |
| 19 | Star Washer | 027A-19 | 194014 | N/S | Instruction Manual | 027A-IM | 125173 |
| 20 | Key Guide | 027A-20 | 131447 | N/S | Hex Key 3/32 | | 129014 |
| 21 | Key Guide Pivot Screw | 027A-21 | 172119 | N/S | Hex Key 5/32 | | 129074 |
| 22 | Wing Nut (pr.) | 027A-22 | BD0242XXXX | N/S | Hex Key 1/8 | | 129109 |
| 23 | Vise Stud | 027A-23 | 185000 | N/S | 3-62F Straight Wires | | BD0356XXXX |
| 24 | Movable Jaw | 027A-24 | 129634 | | | | |