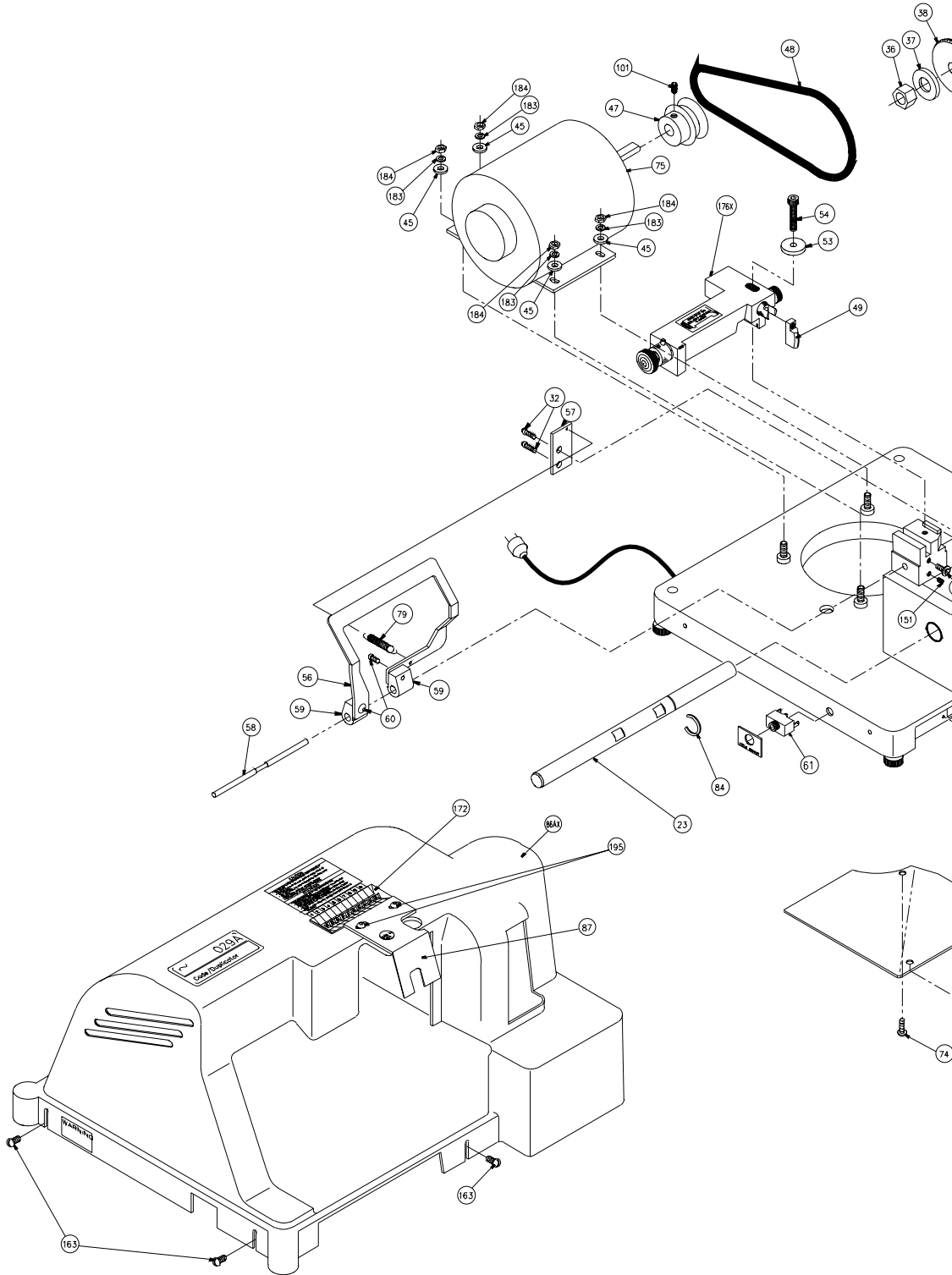
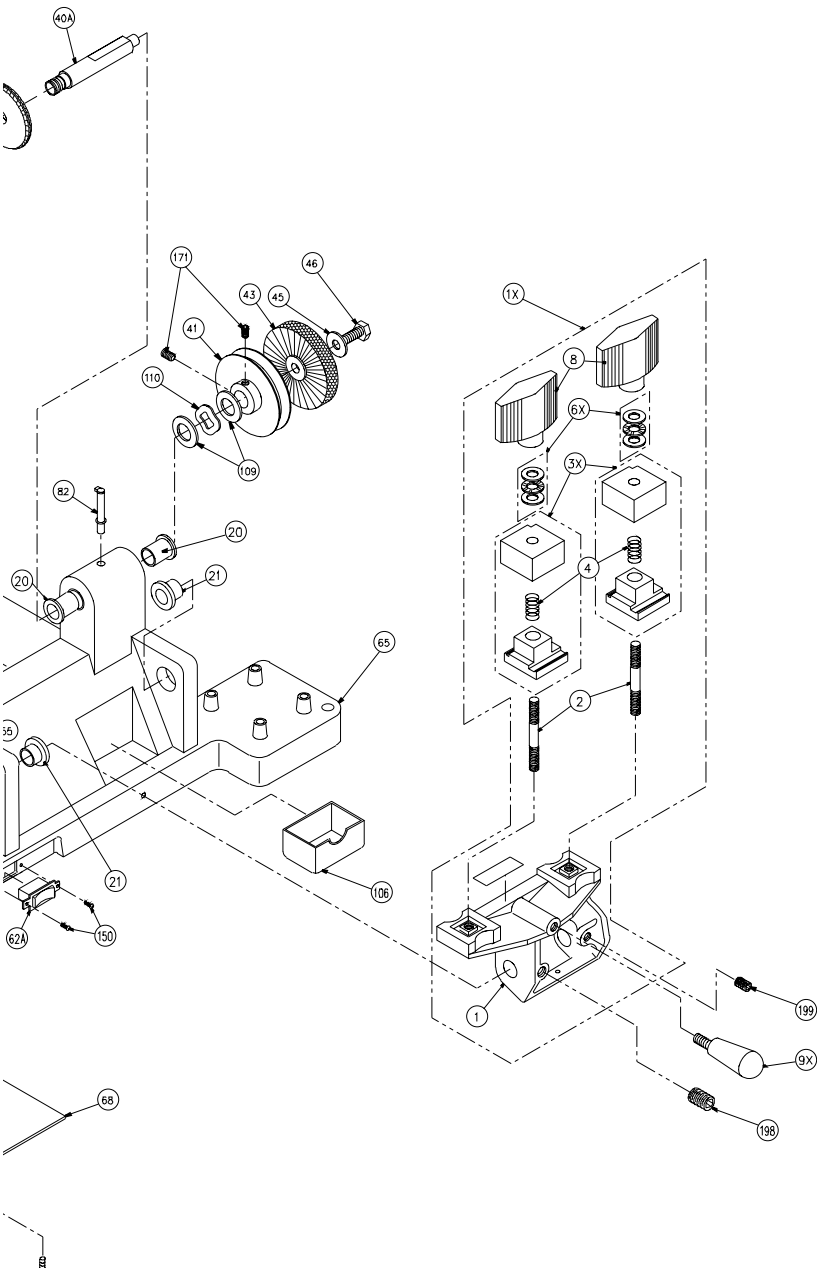


# EXPLODED VIEW



# EXPLODED VIEW



# EXPLODED VIEW PARTS LIST

Refer to pages 6-7 for illustration

Ref.	Part no.	Description	Ref.	Part no.	Description
1	024B-1	Carriage	86	029A-85	Safety hood with 029A decal
1X	024B-1X	Carriage assembly	86X	029A-86X	Safety hood assembly
2	025-2	Carriage stud	87	029A-87	Safety shield
3X	029A-3X	Vise jaw assembly	88	029A-88	Shield screws, 10-32 x 1/2
4	025-4	Vise jaw spring	89	045-89	Lock washer, #10
6X	025-6X	Thrust bearing set	90	025-90	Nut, #10-32
8	025-8	Wing nut	91	024B-91	Power cord
9X	040-9X	Carriage handle	92	024B-92	3 wire motor cable
20	025-20	Cutter shaft bushing	101	025-101	Motor pulley set screw
21	025-21	Carriage shaft bushing	106	040-106	Chip Tray
23	024-23	Carriage shaft	107	029A-107	Spacer
32	024B-32	Button head. screw, 10-24 x 3/8"	109	025-109	Bearing washer
36	025-36	Cutter nut, N-4	110	025-110	Wave washer
37	025-37	Cutter spacer	146	040-146	Power cord strain relief
38	CU29	CU29 cutter	150	040-150	Switch screw (6-32 x 1/4")
40A	025-40A	Cutter shaft	151	040-151	Set screw (8-32 x 38")
41	025-41	Cutter shaft pulley	160	025-160	Caution label
43	814-00-5	Nylon brush	163	045-163	Hood screw
45	025-45	Brush bolt washer, 5/16	170	029A-170	Bushing Spacer
46A	025-46A	Hex head screw, 5/16-18 x 3/4	171	025-171	Cutter pulley set screw, 3/8" -18
47	025-47	Motor pulley 2" - 3L	172	029A-172	Cut Combination Display
48	025-48	V-Belt, 3L-180	173	029A-173	Cutter Guide Screw
49	029-49	Cutter guide (stylus)	174	029A-174	Cutter Guide Lock Screw
53	025-53	Cutter guide binding washer	175	029A-175	Depth Knob Retaining Screw
54	029-54	Cutter guide binding screw	176X	029A-176X	Cutter guide Block Assy.
55	025-55	Adjusting screw	183	040-183	1/4" Lock washer
56	029A-56	Key gauge	184	040-184	1/4-20 Hexnut
57	024B-57	Key gauge bracket	194	045-194	#10 Flat washer
58	024B-58	Key gauge dowel pin	195	045-195	10-32 x 1/2" Button hd. Screw
59	025-59	Key gauge housing	198	045-198	7/16-14 x 3/4" set screw
60	025-60	Cap screw, 8-32 x 1/2"	199	045-199	1/4-20 x 1/2" set screw
61	025-61	Circuit Breaker, ETA 1658	IM	029A-IM	Instruction manual
62A	025-62A	On/Off switch	NS	040-240	220V 1/4 HP motor
65	045-65	Main Base, machined			
68	040-68	Electrical cover			
70	040-70	Rubber Mount			
74	040-74	Truss head screw, 8-32			
75	040-75	Motor, 1/4hp,115V			
79	029A-79	Key gauge spring			
82	025-82	Oil cup			