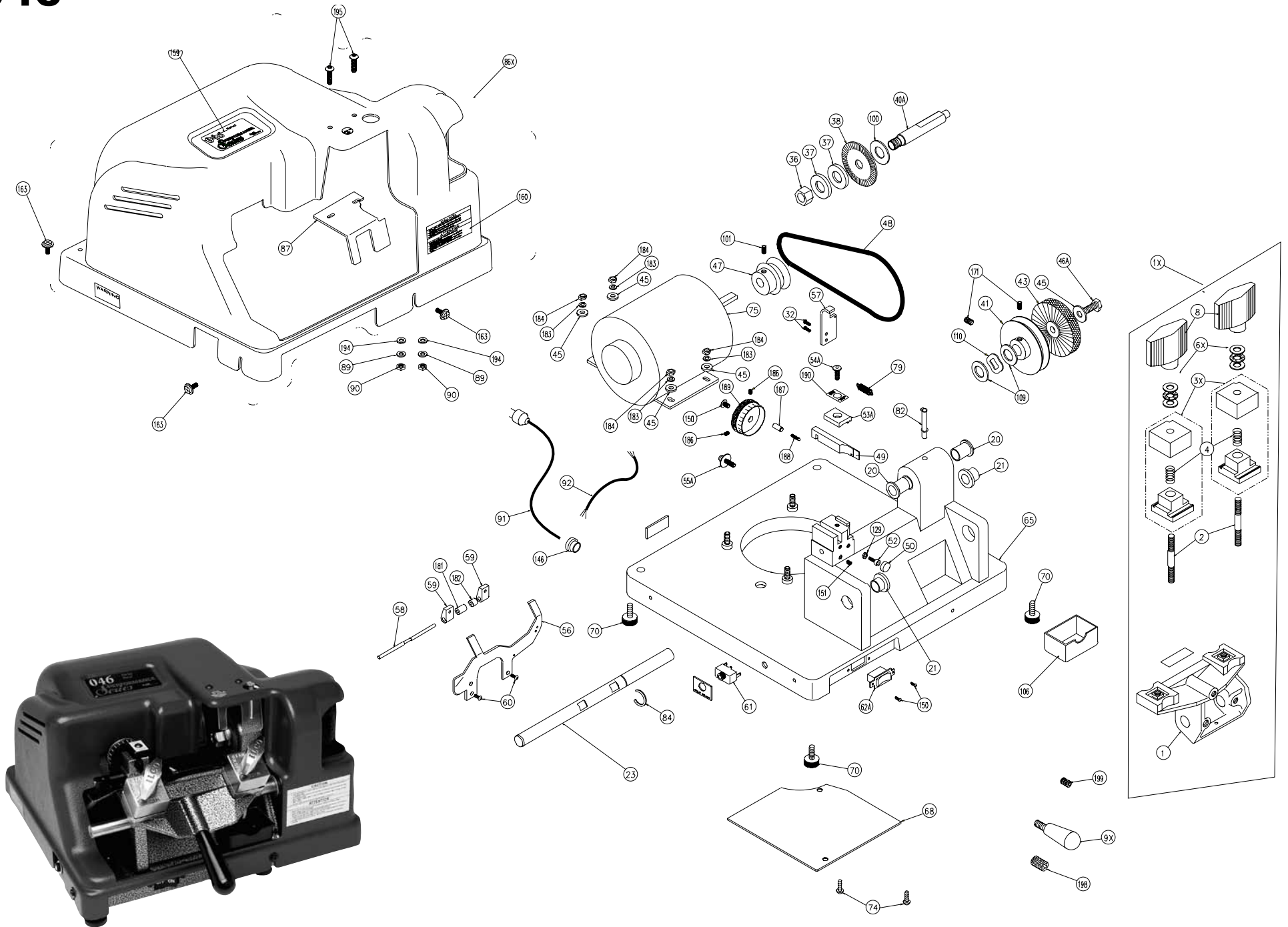


# 046



# 046

	Description	Part Number	Item Number		Description	Part Number	Item Number
1	Carriage	040-1	103263M	79	Key Gauge Spring	024B-79	129054
1X	Carriage Assembly	045-1X	501412	82	Oil Cup	025-82	BD0362XXXX
2	Carriage Stud	025-2	BD0328XXXX	84	Crescent Ring	024B-84	1102033P
3X	Vise Jaw Assembly	025-3X	BD0410XXXX	86X	Safety Hood Assembly	045-86X	501413
4	Vise Jaw Spring	025-4	1103495P	87	Safety Shield	045-87	129681
6X	Thrust Bearing Set	025-6X	BD0222XXXX	89	#10 Lockwasher	045-89	194006
8	Wing Nut	025-8	BD0329XXXX	90	Nut	025-90	151300
9X	Carriage Handle Assembly	040-9X	131516M	91	Power Cord	024B-91	1103290P
20	Cutter Shaft Bushing	025-20	BD0360XXXX	92	3 Wire Motor Cable	024B-92	1103118P
21	Carriage Shaft Bushing	025-21	BD0361XXXX	100	Cutter Spacer, Right"	024B-100	194009
23	Carriage Shaft	045-23	131606	101	Set Screw, 1/4-20 X 1/4"	025-101	174619
32	Socket Head Screw, 10-24 X 3/8"	024B-32	129334	106	Chip Tray	040-106	132021
36	Cutter Nut	025-36	151090	109	Bearing Washer	025-109	129031
37	Cutter Spacer	025-37	1106180P	110	Wave Washer	025-110	194021
38	Cutter	P-SMS45	BC0085XXXX	129	Locking Nut (8-32)	040-129	151009
40A	Cutter Shaft	025-40A	BD0423XXXX	146	Power Cord Strain Relief	040-146	129023
41	Cutter Shaft Pulley	025-41	BD0364XXXX	150	Switch Screws, 6-32 X 1/4"	040-150	1103395P
43	Nylon Brush	814-00-51	BD0221XXXX	151	Set Screw 8-32 X 3/8	040-151	174619
45	Brush Bolt Washer, 5/16"	025-45	194080	160	Caution Label	025-160	255288
46A	Hex Head Screw, 5/16-18 X 3/4"	025-46A	174279	163	Hood Screw	045-163	174151
47	Motor Pulley 2-3L	025-47	129085	171	Cutter Pulley Set Screw, 5/16-18	025-171	174144
48	V-Belt, 3L-180	025-48	BD0468XXXX	181	Key Gauge Spacer-Left	024B-181	129148
49	Cutter Guide (Stylus)	046-49	BD0422XXXX	182	Key Gauge Spacer- Right	024B-182	129149
50	Carriage Block	040-50	131123	183	1/4-20 Lockwasher	040-183	194253
52	Socket Head Screw, 8-32 X 1-1/2"	040-52	174081	184	1/4-20 Hex Nut	040-184	151077
53A	Cutter Guide Binding Plate	045-53A	129463	186	6-32 X 3/8 Set Screw	045-186	129745
54	Cutter Guide Binding Screw	045-54	174153	187	Dowel	045-187	153009
55A	Adjusting Screw	045-55A	129461	188	Dowel Spring	045-188	199179
56	Key Gauge	040-56	131797	189	Adjustment Dial	045-189	129467
57	Key Gauge Bracket	024B-57	129157	190	Cutter Guide Label	045-190	186066
58	Key Gauge Dowel Pin	024B-58	129136	194	Chip Guard #10 Flat Washer	045-194	194272
59	Key Gauge Housing (2)	025-59	1106113A	195	10-32 X 1/2" Button Head Screw	045-195	174152
60	Cap Screw, 8-32 X 1/2"	025-60	174123	198	7/16-14 X 3/4" Set Screw	045-198	174146
61	Circuit Breaker, ETA 1658	025-61	1103128P	199	1/2-20 X 1/2" Set Screw	045-199	174279
62A	On & Off Switch	025-62A	BD0359XXXX	N/S	Instruction Manual	046-IM	125009
65	Machined Base	045-65	600294	N/S	220V 1/4HP Motor	025-240	129395
68	Electrical Cord	040-68	131603	N/S	Hex Key 3/32		129014
70	Rubber Mount	040-70	129849	N/S	Hex Key 5/32		129074
74	Truss Head Screw, 8-32	040-74	1103379P	N/S	Hex Key 1/8		129109
75	Motor, 1/4 HP, 115V, C/S	040-75	131505	N/S	12 Volt Motor		129297