

EXPLODED VIEW PARTS LIST

Refer to pages 8 and 9 for illustrations.

Part No.	Description	Part No.	Description
KD50A-1A	Housing	KD50A-50	Jaw Post Retainer
KD50A-2A	Case (Body of Machine)	KD50A-51	Clamp Screw (Jaw Post)
KD50A-3A	Back Plate	KD50A-52	Jaw Spring
KD50A-4A	Cover	KD50A-53	Upper Vise Jaw
KD50A-5	Motor Shelf	KD50A-54	Lower Vise Jaw
KD50A-6A	Bracket, Motor Support	KD50A-55	Left Post
KD50A-7A	Motor Pulley	KD50A-56	Right Post
KD50A-8A	Belt (for Italian Motor)	KD50A-57	Retaining Washer, Right Post
KD50A-9A	Motor (110V 60Hz)	KD50A-58	Clamp Assembly (Vise Jaws)
KD50A-10	Power Cord and Plug	KD50A-59	Thrust Washer
KD50A-11	Bushing, Strain Relief	KD50A-60	Key Head Rest
KD50A-12	Terminal	KD50A-61	Clamp Screw (Block)
KD50A-13	Grounding Stud	KD50A-62	Carriage Handle
KD50A-14	Grounding Nuts	KD50A-64	Finger, Setting Gauge
KD50A-15	On/Off Switch, Rocker Type	KD50A-66	Spring, Setting Gauge
KD50A-16	Power Cable	KD50A-67	Shaft, Setting Gauge
KD50A-17	Light Socket	KD50A-68	Knob, Setting Gauge
KD50A-18	Light Bulb	KD50A-69	Sleeve, Setting Gauge
KD50A-19	Socket Support Bracket	KD50A-70	Pin, Setting Gauge
KD50A-20A	Transparent Light Guard	KD50A-71A	Shaft, Detent Release
KD50A-21	Momentary Switch - N. O.	KD50A-72	Knob, Detent Release Shaft
KD50A-23A	Carriage	KD50A-73A	Sleeve, Detent Release Shaft
KD50A-24A	Carriage Shaft	KD50A-74	Extension Arm (Sleeve)
KD50A-25	Actuating Shaft	KD50A-75	Retraction Wire Plate
KD50A-26	Drive Shaft	KD50A-76	Retraction Wire, Setting Gauge
KD50A-27	Retaining Collar	KD50A-77	Spring, Detent Release
KD50A-28	Actuating Shaft Sleeve	KD50A-81	Pawl
KD50A-29	Gear	KD50A-82	Pivoting Block Shaft
KD50A-30	Washer (Brass)	KD50A-83A	Spacer Sleeve
KD50A-31	Handle	KD50A-84	Carriage Shaft Detent Sleeve
KD50A-32	Knob	KD50A-85	Spring, Pivoting Block
KD50A-34	Plate	KD50A-86	Key Guide Assembly
KD50A-35	Angle Plate	KD50A-87	Mounting Cylinder
KD50A-36	Brass Bearing Block	KD50A-88	Barrel
KD50A-37	Brass Bearing Spacer	KD50A-89A	Key Guide
KD50A-38	Angle Pin	KD50A-90	Adjusting Screw Bushing
KD50A-39	Carriage Spring	KD50A-91A	Adjusting Screw (Diametral)
KD50A-40	Cam Actuating Pin	KD50A-92A	Adjusting Screw (Lateral)
KD50A-45	Mounting Block Switch	KD50A-95	Cutter Spindle
KD50A-46	Cutter Starting Switch	KD50A-96	Cutter (Acorn) Nut

EXPLODED VIEW PARTS LIST

Refer to pages 8 and 9 for illustrations.

Part No.	Description	Part No.	Description
KD50A-97	Cutter Washer	KD50A-121	Box for Service Kit
KD50A-98	Bearing	KD50A-136	Pin Retainer
KD50A-99	Bearing Spacer, External	KD50A-138	Motor Support Bracket Retainer
KD50A-99IN	Bearing Spacer, Internal	KD50A-139	Grounding Label
KD50A-100	Pulley, Cutter Spindle	KD50A-141	Switch Cam
KD50A-101	Spacer Washer, Brush	KD50A-142	Switch Operating Shaft
KD50A-102B	Brush, 3" Nylon	KD50A-143	Pin Spring (not shown)
KD50A-103	Shoulder Screw, Brush	KD50A-144	Carriage Stop
KD50A-104	Plastic Shield	KD50A-145	Carriage Stop Screws
KD50A-105	Shield Knob	KD50A-146	Carriage Stop Adjusting Screw
KD50A-107	Foot	KD50A-147	Carriage Stop Adjusting Nut
KD50A-108	Spacer, Foot	KD50A-150	Micrometer Knob
KD50A-109A	Chip Pan	KD50A-160	Three Terminal Switch
KD50A-111	Service Bar	KD50A-161	On/Off Switch Plate
KD50A-112	Service Pin, 1.2mm	KD50A-J	Vise Jaw Assembly (set)
KD50A-113	Service Pin, 1.7mm	KD50A-R	Release Mechanism
KD50A-114	Hex Wrench Set (2, 2.5, 3, 4, 5, 6mm)	KD50A-S	Setting Gauge Assembly
KD50A-115	Open End Wrench	CU50A	Cutter (3.150" diameter, Cobalt Steel)
KD50A-116	Bar (to secure cutter spindle)	KD50A-IMD	Instruction Manual
KD50A-120	Service Kit		

OPERATING ACCESSORIES



Service Bar

Used to adjust spacing and depth. Also serves as stop for shoulderless keys.



Service Pins

Used as shims to raise narrow blade keys above surface of vise jaw.



Metric Allen Wrench

Various size wrenches are used to loosen and retighten set screws on the machine.



Metric Wrench

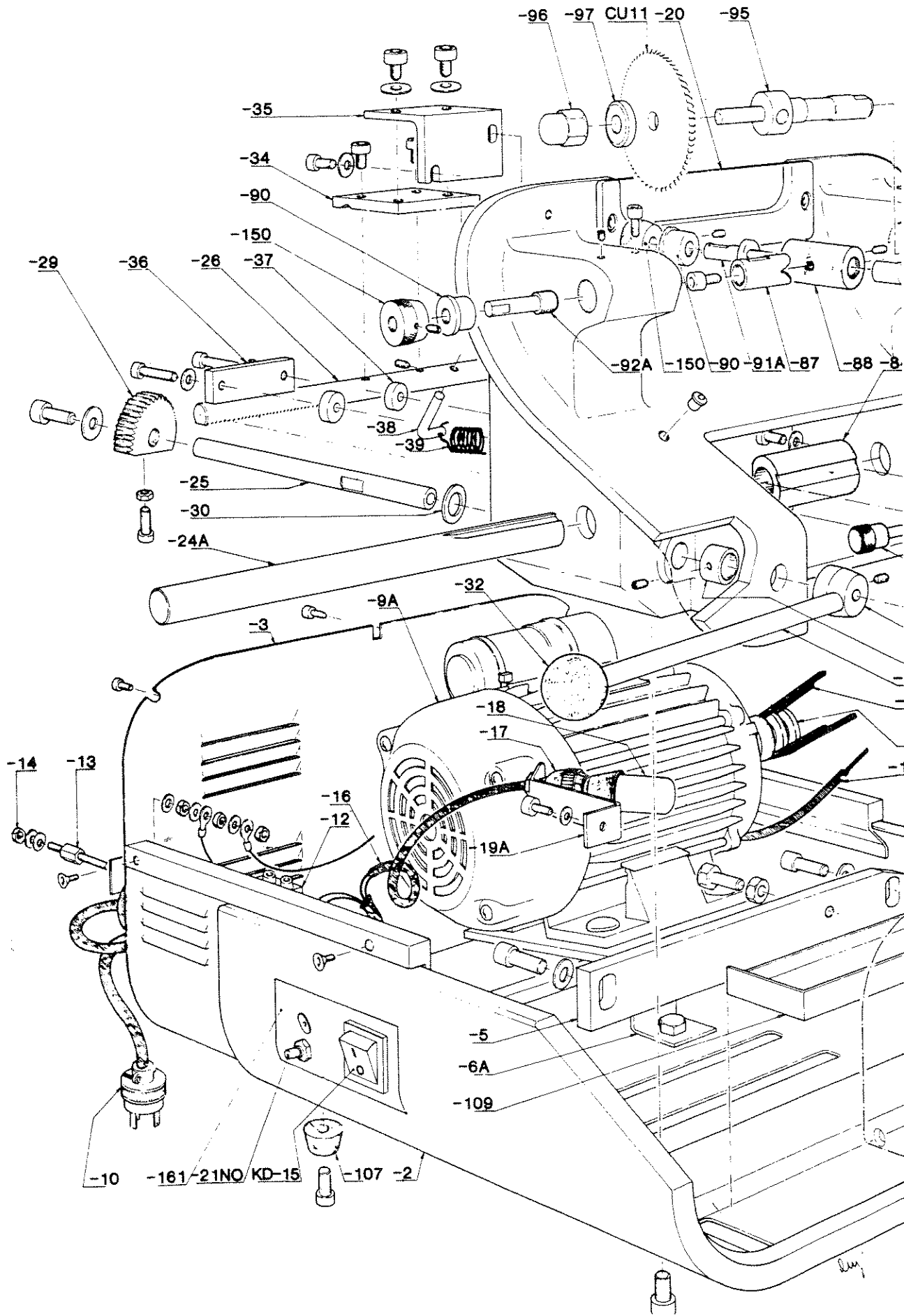
Used to loosen and retighten cutter nut and belt tension adjustment nut.



Cutter Spindle Bar

Used to hold cutter spindle rigid while removing cutter nut.

EXPLODED VIEW



EXPLODED VIEW

